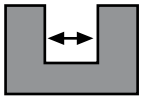
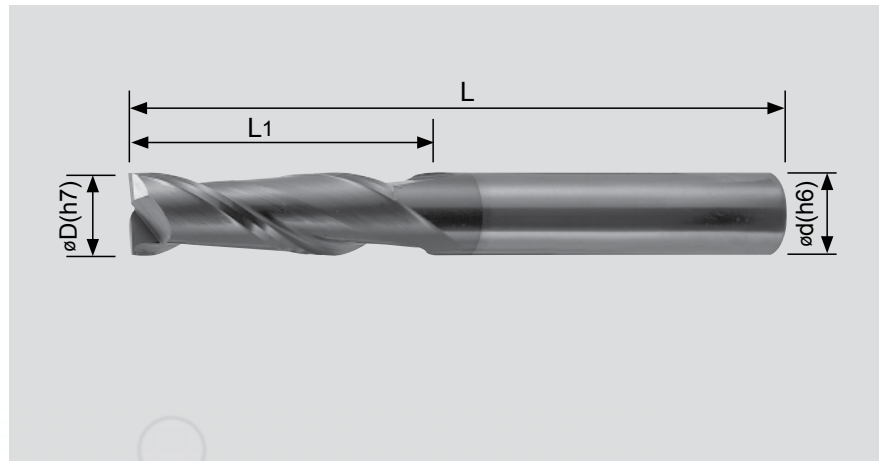


鎢鋼 2刃立銑刀

TUNGSTEN CARBIDE 2-FLUTE END MILL



$d \leq 3$ -0.005 ~ -0.028
 $3 < d \leq 6$ -0.015 ~ -0.038
 $6 < d \leq 18$ -0.020 ~ -0.047
 $18 < d$ -0.020 ~ -0.053



- 超細微粒碳化鎢材質
- Micro-Grain Tungsten Carbide

適用材質：

碳素鋼、模具鋼、合金鋼、
工具鋼、鑄鐵、不鏽鋼、熱處理鋼、焊補鋼料。

Applicable materials:

Carbon steel, mold steel,
alloy steel, tool steel, stainless steel,
heat-treated steel, welded steel, cast iron.

單位: Unit : mm

型號 EDP NO.	刃徑 D Flute Dia.	刃長 L ₁ Length of Cut	全長 L Overall Length	柄徑 d Shank Diameter	刃數 Flute Number	AK45	AK925	PK66
2E-D1.0L50	1.0	3.0	50	4.0	2	●	●	●
2E-D1.5L50	1.5	4.0	50	4.0	2	●	●	●
2E-D2.0L50	2.0	6.0	50	4.0	2	●	●	●
2E-D2.5L50	2.5	7.0	50	4.0	2	●	●	●
2E-D3.0L50	3.0	8.0	50	4.0	2	●	●	●
2E-D3.5L50	3.5	10.0	50	4.0	2	●	●	●
2E-D4.0L50	4.0	10.0	50	4.0	2	●	●	●
2E-D4.5L50	4.5	13.0	50	6.0	2	●	●	●
2E-D5.0L50	5.0	13.0	50	6.0	2	●	●	●
2E-D5.5L50	5.5	15.0	50	6.0	2	●	●	●
2E-D6.0L50	6.0	15.0	50	6.0	2	●	●	●
2E-D6.5L60	6.5	20.0	60	8.0	2	●	●	●
2E-D7.0L60	7.0	20.0	60	8.0	2	●	●	●
2E-D7.5L60	7.5	22.0	60	8.0	2	●	●	●
2E-D8.0L60	8.0	22.0	60	8.0	2	●	●	●
2E-D8.5L75	8.5	25.0	75	10.0	2	●	●	●
2E-D9.0L75	9.0	25.0	75	10.0	2	●	●	●
2E-D9.5L75	9.5	25.0	75	10.0	2	●	●	●
2E-D10.0L75	10.0	25.0	75	10.0	2	●	●	●
2E-D10.5L75	10.5	30.0	75	12.0	2	●	●	●
2E-D11.0L75	11.0	30.0	75	12.0	2	●	●	●
2E-D11.5L75	11.5	30.0	75	12.0	2	●	●	●
2E-D12.0L75	12.0	30.0	75	12.0	2	●	●	●
2E-D12.5L80	12.5	30.0	80	14.0	2	●	●	●
2E-D13.0L80	13.0	32.0	80	14.0	2	●	●	●
2E-D14.0L80	14.0	35.0	80	14.0	2	●	●	●
2E-D15.0L80	15.0	35.0	80	16.0	2	●	●	●
2E-D16.0L80	16.0	45.0	80	16.0	2	●	●	●
2E-D17.0L100	17.0	45.0	100	18.0	2	●	●	●
2E-D18.0L100	18.0	45.0	100	18.0	2	●	●	●
2E-D19.0L100	19.0	45.0	100	20.0	2	●	●	●
2E-D20.0L100	20.0	45.0	100	20.0	2	●	●	●

註: 有●者表示有庫存

NOTE: ● means items in stock

切削條件表請參考第75頁